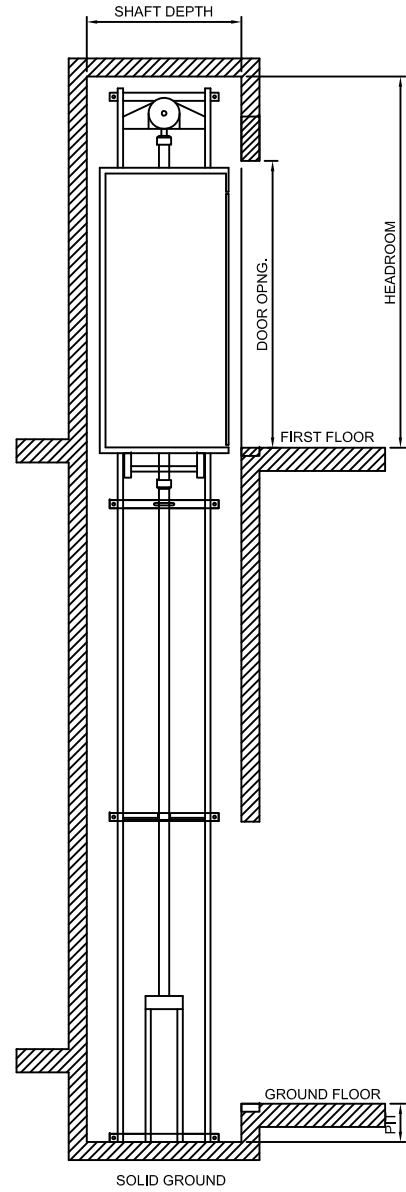
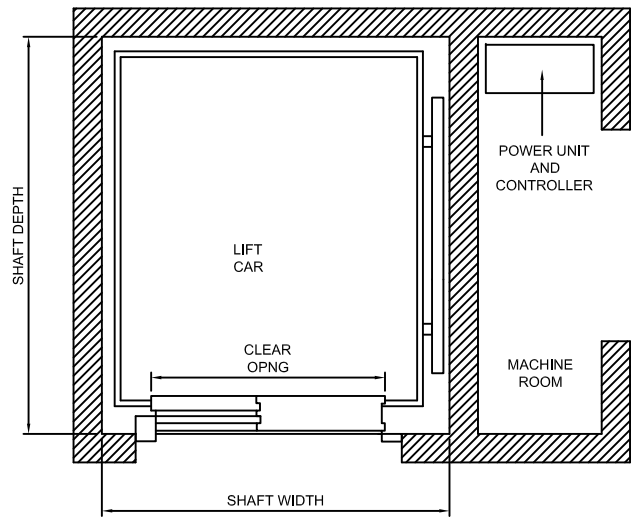


Floor Plan



SECTION- A:A



SHAFT AND CAR PLAN

Floor Plan and Lift Shaft Details	Sheet No.	Rev.	North
	2A		